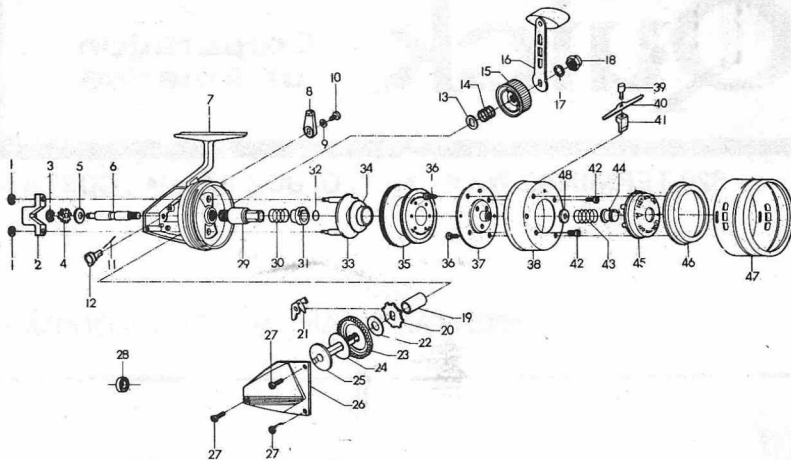


# Quick MATCH WINNER II



### SPARE PARTS CATALOG

FIG. NO.	PART NO.	TECHNICAL DESCRIPTION OF SPARE PARTS
1	12 0001	clip
2	12 0002	level wind
3	12 0003	clip
4	12 0004	pinion gear
5	12 0005	washer
6	12 0006	axle
7	12 0007	housing
8	12 0008	antireverse lever
9	12 0009	lock washer
10	12 0010	antireverse screw
11	12 0011	antireverse spring
12	12 0012	antireverse cam
13	12 0013	drag washer
14	12 0014	drag spring
15	12 0015	drag adjusting knob
16	12 0016	handle cpl.
17	12 0017	lock washer
18	12 0018	hat nut
19	12 0019	bushing
20	12 0020	antireverse ratchet
21	12 0021	antireverse lock
22	12 0022	drag washer
23	12 0023	main gear
24	12 0024	drag washer
25	12 0025	axle, cpl.
26	12 0026	side plate
27	12 0027	side plate screw
28	12 0028	ball-bearing
29	12 0029	main shaft sleeve
30	12 0030	pick up cam spring
31	12 0031	pick up cam
32	12 0032	clip
33	12 0033	spool fixing
34	12 0034	spring washer
35	12 0035	spool flat
36	12 0036	screw
37	12 0037	cover plat
38	12 0038	rotor
39	12 0039	line guide
40	12 0040	line guide spring
41	12 0041	line guide holder
42	12 0042	screw
43	12 0043	push button spring
44	12 0044	rotor nut
45	12 0045	push button
46	12 0046	push button frame
47	12 0047	cap
48	12 0048	felt washer